



m a n u a l

s a n e u x

MANUFACTURERS OF FINE BATHROOMS

slider

Installation instructions

Slider

Adjustment range: (- 40 mm / 0 mm) x 1850 mm

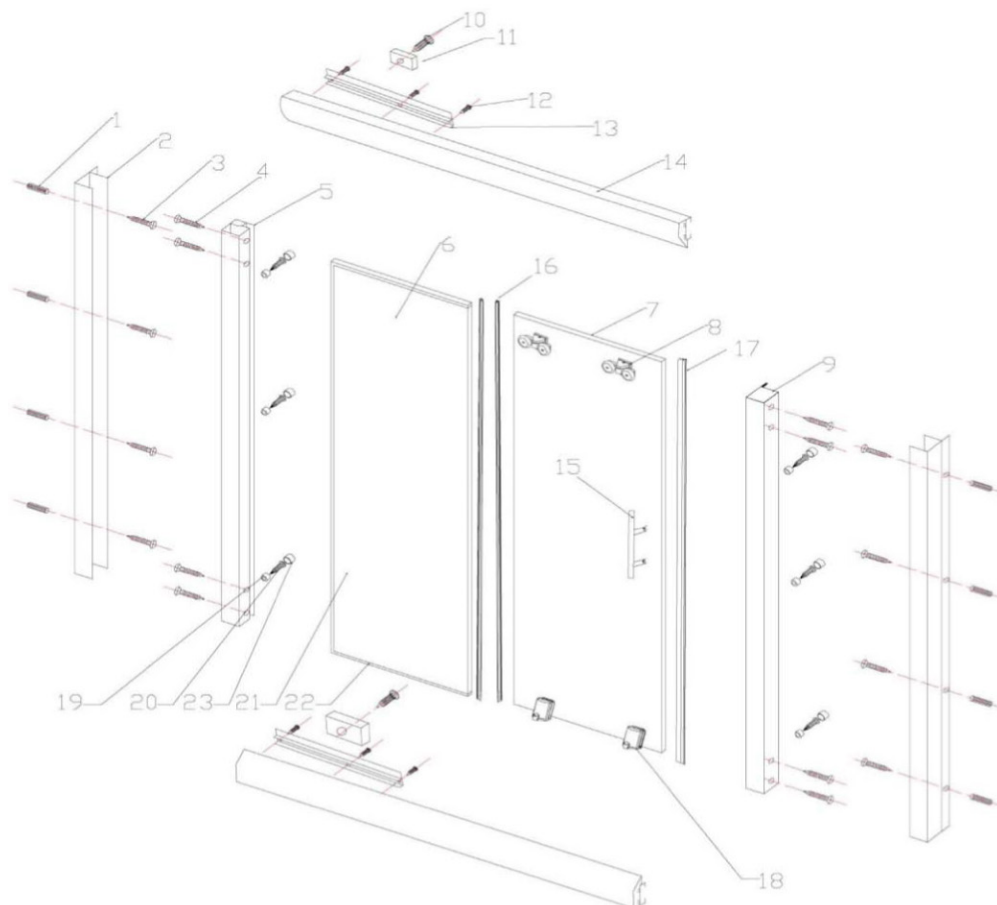
Mounting preparation

The slider can be mounted with the sliding door closing to the left or to the right. In these installation instructions the description is based on a sliding door closing to the right. After opening the packaging, read the instructions carefully. Check whether all parts are present and there are no signs of shipping damage. If you find any problems, please contact your retailer directly.

Necessary tools: electric drill, masonry drill (\varnothing 6 mm), drill (\varnothing 3.2 mm), crosstip screw driver, spirit level, tape measure, pencil and silicone sealant.

Packing list

- | | | |
|-------------------------|---------------------------------|---------------------------------|
| 1. Wall plug 8x | 9. Door profile 1x | 17. Magnetic profile 1x |
| 2. Wall profile 2x | 10. ST4x12 screw 2x | 18. Bottom slider 2x |
| 3. ST4x30 screw 8x | 11. Door stop 2x | 19. Rubber washer 6x |
| 4. ST4x40 screw 8x | 12. ST4x16 screw 6x | 20. ST4x30 screw 6x |
| 5. Fixed profile 1x | 13. Glass profile 2x | 21. Sealing strip vertical 1x |
| 6. Fixed glass panel 1x | 14. Rail profile 2x | 22. Sealing strip horizontal 2x |
| 7. Sliding door 1x | 15. Handle 1x | 23. Screw cap 6x |
| 8. Tandem roller 2x | 16. Sealing profile vertical 2x | |



Mounting process

1. Connect the fixed profile (5) to the left side of the rail profiles (14) with four ST4x40 screws (4). Fix the door profile (9) to the wall side of the rail profiles (14) with four ST4x40 screws (4), as shown in figure 1.



Fig 1

2. Move the wall profiles (2) over the fixed profile (5) and the door profile (9).
3. Place the frame between the walls. Check whether the frame is vertical by using a spirit level. Mark the holes to the walls with a pencil, as shown in figure 2. Remove the frame.
4. Drill the holes (\varnothing 6 mm) into the wall according to the marks made and insert the wall plugs (1) into the holes, as shown in figure 3.

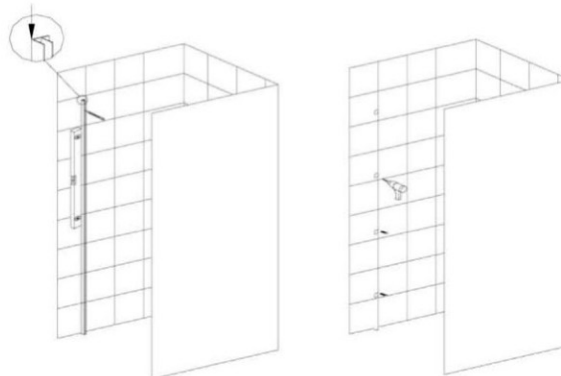


Fig 2

Fig 3

5. Remove the ST4x40 screws (4) of the door profile (9) again.
6. Loosen the ST4x16 screws (12) of the glass profiles (13) a little, just being able to support the fixed glass panel sufficiently.
7. Attach the vertical and horizontal sealingstrips (21, 22) to the fixed glass panel (6).
8. Place the fixed glass panel (6) between the rail profiles (14), as shown in figure 4.



Fig 4

9. Fasten the ST4x10 screws (12) of the glass profiles (13).

10. Install the handle (15), tandem rollers (8) and bottom sliders (18) to the sliding door (7), as shown in figure 5.

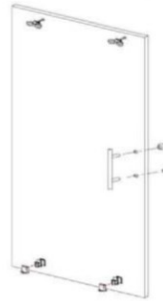


Fig 5

11. Attach one sealing profile (16) over the fixed glass panel (6). Attach the magnetic profile (17) to the wall side of the sliding door (7). Attach the sealing profile (16) to the other side of the sliding door (7).
12. Place the sliding door (7) in the upper rail profile (14), as shown in figure 6.

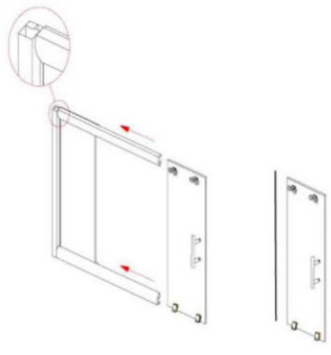


Fig 6

13. Connect the door profile (9) to the rail profiles (14) with four ST4x40 screws (4), as shown in figure 7.



Fig 7

14. Place the door stops (11) in the rail profiles (14), as shown in figure 8. Fix them with ST4x12 screws (10), as shown in figure 8.



Fig 8

15. Place the wall profiles (2) over the fixed profile (5) and the door profile (9), as shown in figure 9.



Fig 9

16. Fix the wall profiles (2) with ST4x30 screws (3), as shown in figure 10.



Fig 10

17. Drill three holes with a $\text{Ø } 3.2$ mm drill on the inside of the shower enclosure through the wall profile (2) and the fixed profile (5) and through the wall profile (2) and the door profile (9). Connect these profiles with rubber washers (19) and screws ST 4x30 (20). Press the screw caps (23) over the screws, as shown in figure 11.



Fig 11

18. Check whether the sliding door (7) opens smoothly and check whether the magnetic profile (17) contacts the other magnetic profile over the full length. When necessary, adjust the tandem rollers (8), as shown in figure 12.

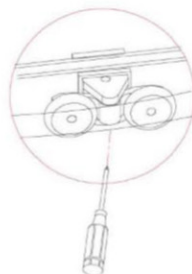


Fig 12

19. Finally, at all points connected to the wall, shower tray, floor and profiles, use silicone sealant only on the outside of the shower enclosure.

Installation instructions

Slider with side panel

Adjustment range: (- 40 mm / 0 mm) x (-25 mm / - 5 mm) x 1850 mm

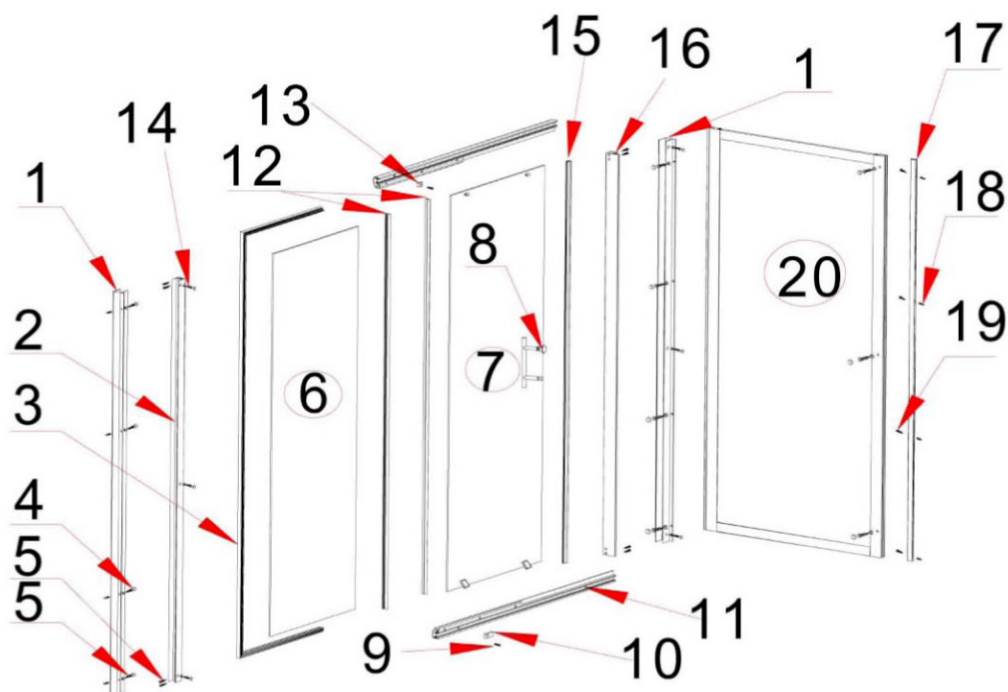
Mounting preparation

The slider can be mounted with the side panel connected on the left or right. In these installation instructions the description is based on a sliding door with the side panel on the left. After opening the packaging, read the instructions carefully. Check whether all parts are present and there are no signs of shipping damage. If you find any problems, please contact your retailer directly.

Necessary tools: electric drill, masonry drill (\varnothing 6 mm), drill (\varnothing 3.2 mm), crosstip screw driver, spirit level, tape measure, pencil and silicone sealant.

Packing list

- | | | |
|---------------------------------------|----------------------------------------------|----------------------------------------------|
| 1. Wall profile 2x | 9. ST4.2x10 screw 2x | 16. Door profile 1x |
| 2. Fixed profile 1x | 10. Door stop large 1x | 17. Wall profile side panel 1x |
| 3. Sealing strip fixed glass panel 1x | 11. Rail profile 2x | 18. Wall plug 8x |
| 4. Screw cap 16x | 12. Sealing profile 2x | 19. ST4.2x30 screw 4x
(incl. washer, cap) |
| 5. ST4.2x30 screw 16x | 13. Door stop small 1x | 20. Side panel glass 1x |
| 6. Fixed glass panel 1x | 14. ST4.2x10 screw 9x
(incl. washer, cap) | |
| 7. Sliding door 1x | 15. Magnetic profile 1x | |
| 8. Handle 1x | | |



Mounting process

1. If the sliding door and side panel are placed on a tray. Please ensure the tray is installed horizontal by using a spirit level.

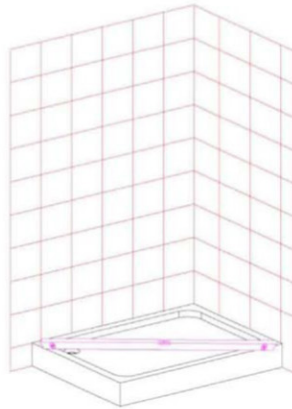


Fig 1

2. Place the wall profiles (1, 17) against the walls, keeping the distance between the profiles and the wall correct. Adjust the profile to make sure it is vertical by using a spirit level. Mark the holes on the wall with a pencil, as shown in figure 2.

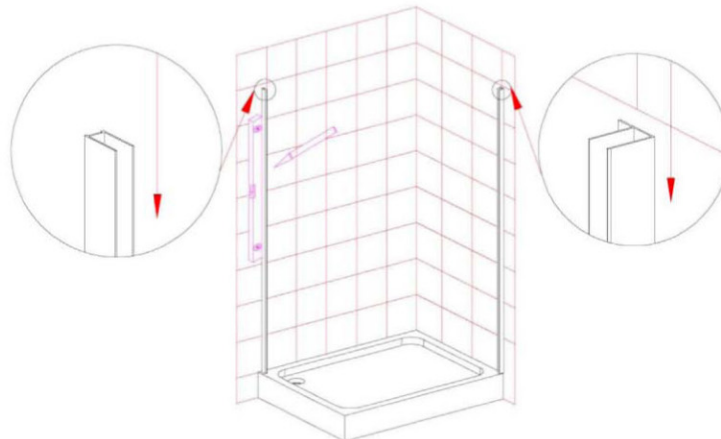


Fig 2

3. Drill the holes ($\varnothing 6$ mm) according to the marks, and insert the wall plugs (18) into the holes as shown in figure 3.

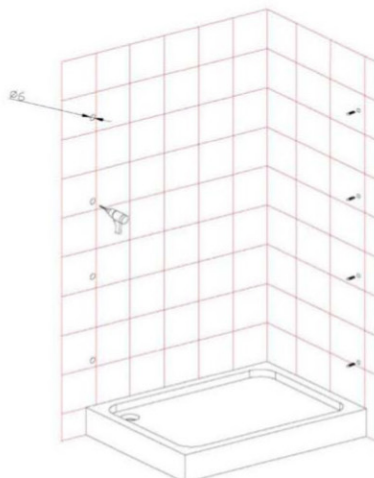


Fig 3

- Fix the wall profile (1) to the wall with the rubber washers and ST4.2x30 screws (5), as shown in figure 4 right. Cover the screws with the screw caps (4). Fix the wall profile of the side panel (17) to the wall with ST4.2x30 screw, as shown in figure 4 left.

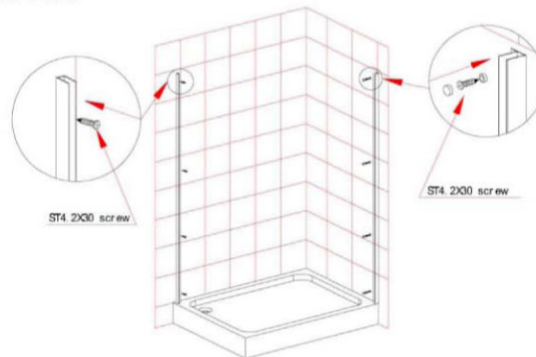


Fig 4

- Place the side panel (20) into the wall profile (17). Connect the wall profile (1) to the side panel with the rubber washers and ST4.2x30 screw (5). Cover the screws with the screw caps (4), as shown in figure 5.

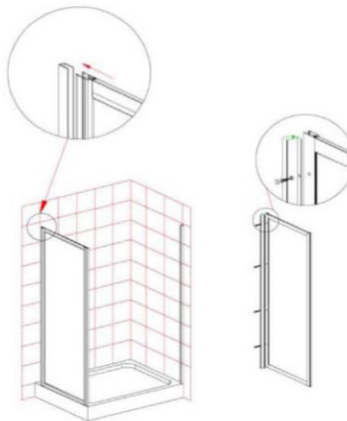


Fig 5

- Connect the fixed profile (2) to the rail profiles (11) by using the ST4.2x30 screws (5). Attach the sealing strip (3) and the sealing profile (12) to the fixed glass panel (6), as shown in figure 6.

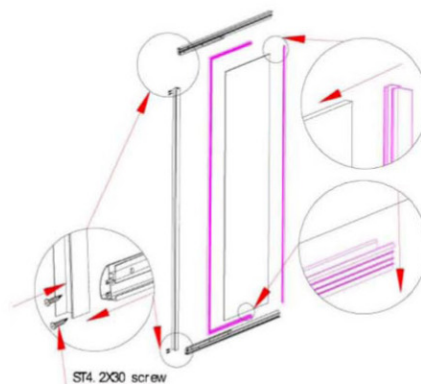


Fig 6

- Loosen the screws of the glass profiles, which are pre-mounted to the rail profiles (11), a little. Place the fixed glass panel (6) between the glass profiles and fasten the screws.
- Attach the magnetic profile (15) and the sealing profile (12) to the sliding door (7). Mount the handle (8).
- Place tandem rollers of the sliding door (7) into the upper rail profile (11). Connect the door profile (16) to both rail profiles (11) by using ST4.2x30 screws (5), as shown in figure 7. Fasten the door stop large (10) in the bottom rail profile (11) and the door stop small (13) in the upper rail profile (11), as shown in figure 7.

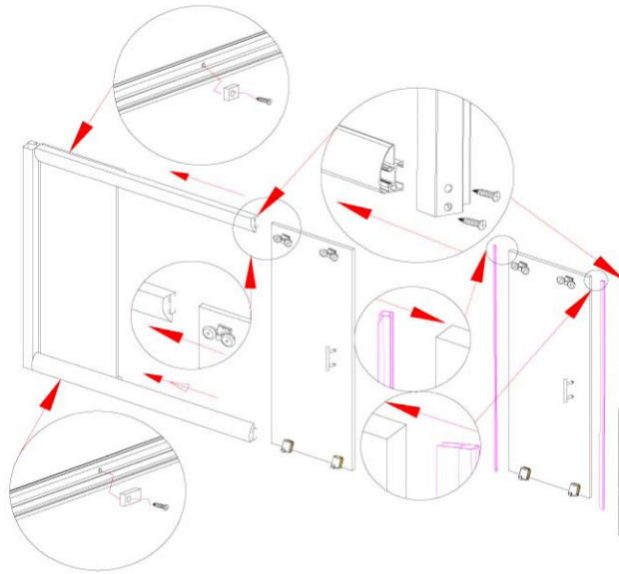


Fig 7

10. Install the frame of the sliding door into the wall profiles (1), as shown in figure 8.

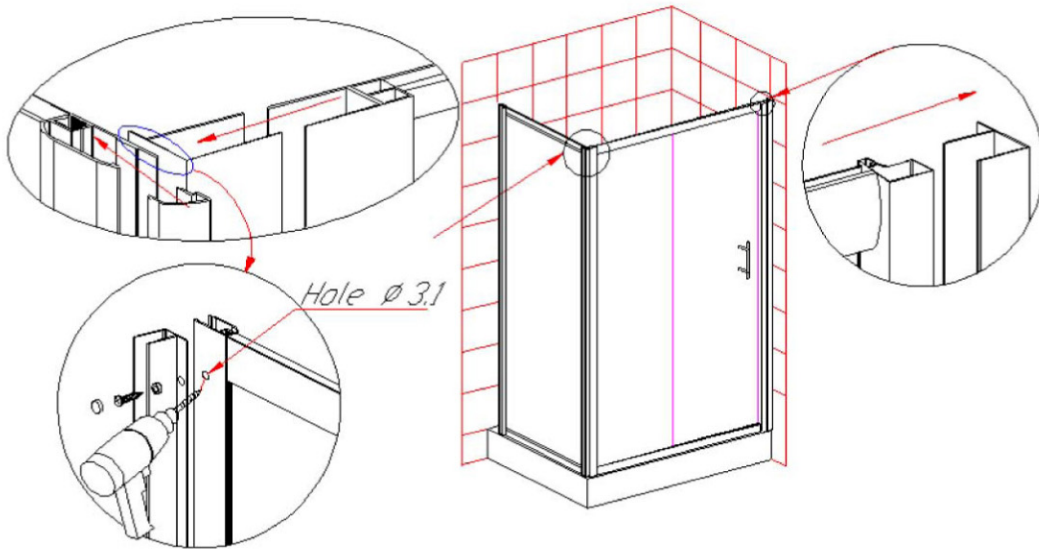
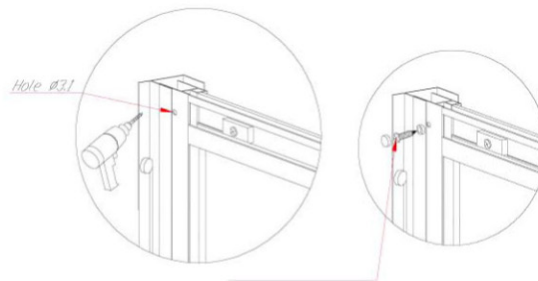


Fig 8

11. Drill three holes profile with the $\text{Ø } 3.2 \text{ mm}$ drill bit into the wall profile (1) and the fixed profile (2), into the wall profile (1) and the door profile (16) and into the wall profile (17). Use the rubber washers and ST4x10 screws (14) to fix them in place. Press the screw caps (14) over the screws, as shown in figure 9.



ST4. 2X10 screw

Fig 9

12. Finally, at all points connected to the wall, shower tray/ floor and the profiles, use silicone sealant only on the outside of the shower enclosure.

s a n e u x

MANUFACTURERS OF FINE BATHROOMS

For information and support phone: 020 8686 5100